

S-Sight

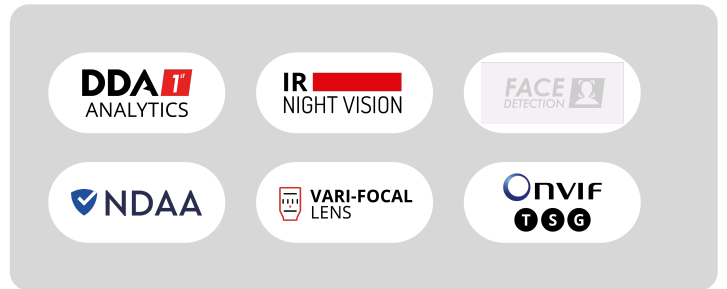
This series simplifies surveillance with high-quality images and enhanced night vision capabilities. Powered by AI (DDA™ Video Analytics and Face Recognition) and equipped with Check Point protection for comprehensive monitoring. Choose from rainbow cameras, Motorized Varifocal options, and Anti-Vandal designs for high-security areas.



DI-320IPSN-VF-V2

40m IR 2MP Fixed Lens Large Dome/Turret Camera

Equipped with a 2.8-12mm Vari-Focal lens, this 2MP Turret/Dome camera is designed for medium-distance surveillance (up to 40m) in indoor and outdoor scenarios. The camera offers outstanding DDA Analytics (Detect, Distinguish, Alert), which can perform human and vehicle recognition. With its excellent performance, reliability, and affordable price, the DI-320IPSN-VF-V2 camera is the perfect solution for basic installations.



MAIN FEATURES

- DI-320IPSN-VF-V2
- Sensor: 1/2.8" CMOS (16:9)
- Resolution: 1920×1080 25/30FPS (2MP)
- Lens: 2.8-12mm VF (102°-33°)
- True Day&Night – ICR
- Illumination: 40m (3 High-Power IR LED)
- Compression: H.265 / H.264 / MJPEG
- General Analytics: Camera Tampering
- AI (Object Recognition): DDA Sterile Area, DDA Line Crossing
- Digital WDR, BLC, HLC, ROI
- SD Card: Event/Schedule Record (Up to 256Gb)
- Built-in Microphone + Audio input
- ONVIF: Profile T/S/G
- Water Proof: IP67
- Weight: ~450g
- Power: DC12V/~509mA / PoE/~6W



<https://provision-isr.com>

SPECIFICATIONS

| 3rd Party Cyber Protection | |
|----------------------------|---|
| General | N/A |
| Protection Methods | N/A |
| NDAA Compliant | |
| NDAA Compliant | Yes |
| Video | |
| Image Sensor | 1/2.8" CMOS (16:9) |
| Effective Pixels | 1920x1080 |
| Electronic Shutter | 1/25s ~ 1/100000s |
| Day & Night | ICR |
| Min. Illumination | Day: 0.1lux / Night: 0.009lux (@F1.6, AGC on) 0lux with IR on |
| Audio | |
| Audio compression | G.711A/G.711U |
| Communication | One-Way Audio |
| Image | |
| Image Settings | AWB, AGC Adjustable, Exposure Mode (Auto) Sharpness, Saturation, Brightness & Contrast Adjustable |
| Image Enhancement | Digital WDR, BLC, HLC, ROI |
| Noise Reduction | 3D-DNR |
| Image Orientation | Mirror/Flip |
| Privacy Zone | Yes |
| Events and Analytics | |
| Analytics | General Analytics: Camera Tampering AI (Object Recognition); DDA Sterile Area, DDA Line Crossing |
| Motion Detection | Yes |
| Compression | |

| | |
|--------------------------|--|
| Resolution | 2MP (1920x1080) / 1MP (1280x720) / D1 (704x576) / CIF (352x288) |
| Frame Rate | 1-25/30FPS |
| Video Compression | H.265 / H.264 / MJPEG** |
| Multi-Stream | Master Stream: 2MP (1920x1050) / 1MP (1280x720) (1~30fps) Substream: QVGA/D1/CIF Third Stream: QVGA/D1/CIF (1~30fps) |
| Bit Rate | 64Kbps ~ 4Mbps@H.265 / 64Kbps ~ 6Mbps@H.264 |
| Encode Mode | VBR/CBR |
| Image Quality | Five levels under VBR; Free adjustment under CBR |

| Lens | |
|-----------------------------|--|
| Lens (Field of View) | 2.8-12mm VF (102°-33°) |
| Iris | Fixed Iris |
| Lens Mount | Ø14 Mount |
| Detect | 2.8~12mm(W): 43.13m(141.50ft) - 2.8~12mm(T): 131.90m(432.74ft) |
| Recognize | 2.8~12mm(W): 8.63m(28.31ft) - 2.8~12mm(T): 26.38m(86.54ft) |
| Identify | 2.8~12mm(W): 4.31m(14.14ft) - 2.8~12mm(T): 13.19m(43.27ft) |

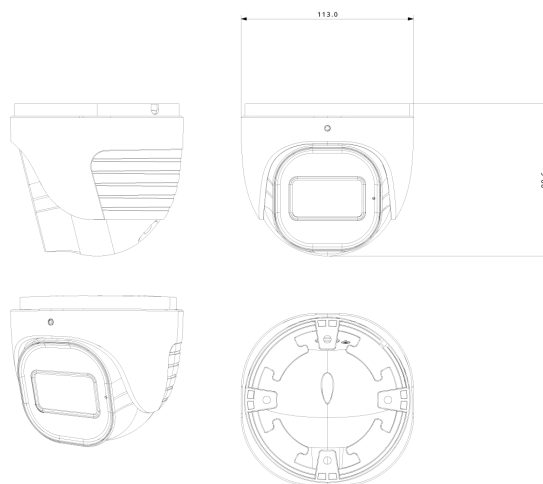
| Network | |
|--------------------------|---|
| User Access | Supports simultaneous monitoring of up to 3 users with multi-stream real-time transmission |
| Network Protocol | IPv4, IPv6, TCP, UDP, DHCP, NTP, DDNS, 802.1X, RTSP, Multicast, UPnP, Email, FTP, HTTPS, QoS |
| Remote Monitoring | IE Browsing (Plug-In required), Chrome/Edge/Safari/Firefox plug-in free browsing, Ossia VMS Software, Provision Cam2 Mobile App |
| Ethernet | 100Mbps |
| ONVIF | Profile T/S/G |

| Connectivity | |
|---------------------------|-----------------------------------|
| Network | RJ45 (+PoE) |
| Audio Connectivity | Built-in Microphone + Audio input |

| | |
|----------------------------|---|
| Alarm | No |
| SD Card | Event/Schedule based Main/Substream recording (Up to 256Gb) |
| Wiegand | No |
| Power | DC Socket |
| Analog Video Output | No |

| Housing | |
|--------------------------|------------------------------|
| PoE | Yes |
| Illumination | 40m (3 High-Power IR LED) |
| Power Supply | DC12V/~509mA / PoE/~6W |
| Protection Rate | Water Proof: IP67 |
| Work Environment | -30°C~60°C, 10%~90% Humidity |
| Bracket | 3-Axis Bracket |
| Dimensions | Ø113mm×99.6mm |
| Weight (gross) | ~450g |
| Hard Reset Button | Yes |

DIMENSIONS



ACCESSORIES

