

POWER SUPPLY STATIONS



Two versions are available:

SPS24060G and **SPS24160G** (respectively 1.5A and 4A) with LCD command screen for viewing the events log or fault details (low battery, mains failure, dispersion to earth, etc.) and the current draw of each output; provides 3 individually protected outputs with 4A current limit, connectible to the RS485 BUS of the fire detection panel.

SPS24060S and **SPS24160S** (respectively 1.5A and 4A) with status LEDs, fault output, mains fault output, single power output. Can be used as a stand-alone device or connected directly to the loop of an addressable control panel (Inim protocol). Thanks to its loop interface, it is recognized by the control panel as being a power station and therefore becomes completely and automatically supervised thus reporting all signals to the control panel.

The SPS24060x versions are capable of supplying up to 1.5A @ 27.6V and provide housing for two 12V –7Ah batteries; the SPS24160x versions are capable of supplying up to 4A @ 27.6V and provide housing for two 12V –17Ah batteries. The power stations have an independent battery-charging circuit capable of charging the batteries without affecting the output current to the load, and a thermal probe that adapts the battery charge in accordance with their operating temperature. The battery efficiency is assessed by accurately measuring the internal resistance (with 0.1 ohm resolution) of the batteries in such a way as to signal any decrease in efficiency that might jeopardize the system functionality in the event of mains failure.

The CPU contained in the switching module is capable of supervising all of its parameters (internal temperature, current supplied, output voltage, battery parameters, dispersion to earth) .

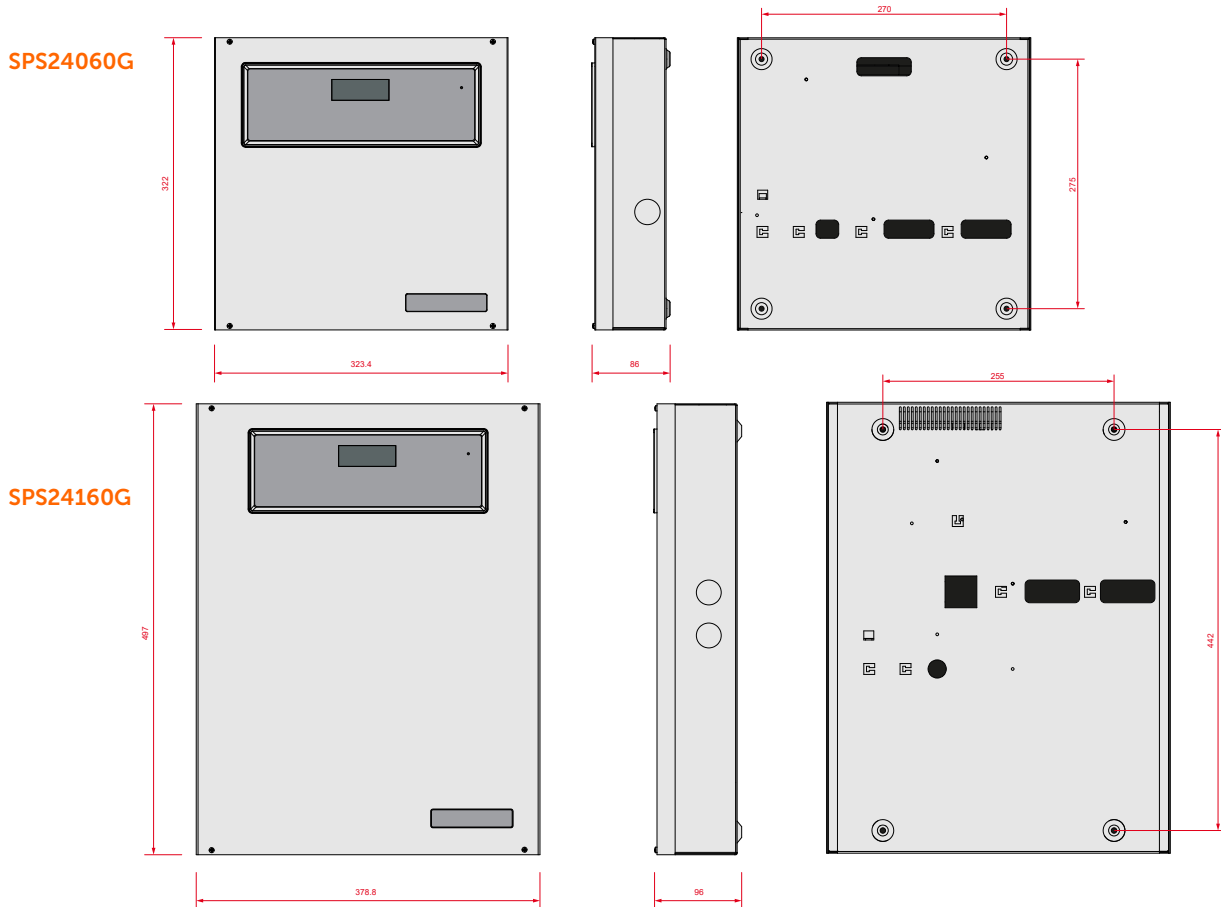
Technical specifications	SPS24060G	SPS24160G	SPS24060S	SPS24160S
Internal switching power-supply module	1.5A @ 27.6V	4A @ 27.6V	1.5A @ 27.6V	4A @ 27.6V
Input voltage	230V~ -15% +10%, 50-60Hz			
Maximum current draw 230V~	0.5A	1.1A	0.5A	1.1A
Output voltage	27.6Vdc nominal range from 18 to 27.6Vdc			
Stability	higher than 1%			
LCD display	Yes		No	
Ancillary power outputs, each short-circuit protected and 4A current limited	3		1	
Tamper/Fault signalling relay output	1		2	
Built-in battery charger with battery supervision	Yes			
Battery housing	2 x 7Ah 12V	2 x 17Ah 12V	2 x 7Ah 12V	2 x 17Ah 12V
Dimensions (HxWxD):	322 x 324 x 86 mm	497 x 380 x 97 mm	322 x 324 x 86 mm	497 x 380 x 97 mm
Weight (without battery)	2.8 Kg	6 Kg	2.8 Kg	6 Kg
Loop connection capability	Yes			
RS485 BUS connection capability	Yes		No	

SPS24060G, SPS24160G, SPS24060S, SPS24160S

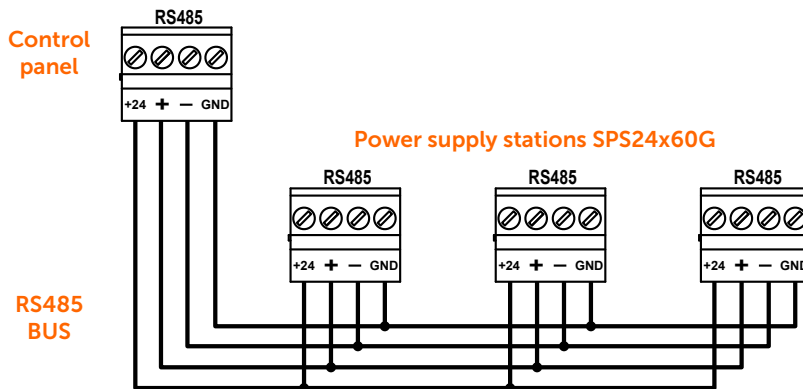


EN 54-4
EN 50130-4
EN 50130-5

0051
0051-CPR-0170
0051-CPR-0171
0051-CPR-0433
0051-CPR-0434



BUS CONNECTION



ORDER CODES

SPS24060G: 24V, 1.5A power supply station with LCD and RS485 connection capability

SPS24160G: 24V, 4A power supply station with LCD and RS485 connection capability

SPS24060S: 24V, 1.5A power supply station with LED status indicators and Inim loop connection capability

SPS24160S: 24V, 4A power supply module with LED status indicators and Inim loop connection capability

ProbeTH: thermal probe



Centobuchi, via Dei Lavoratori 10
63076, Monteprandone (AP), ITALY
Tel. +39 0735 705007 _ Fax +39 0735 704912

info@inim.biz _ www.inim.biz

Inim distributor's stamp
and signature