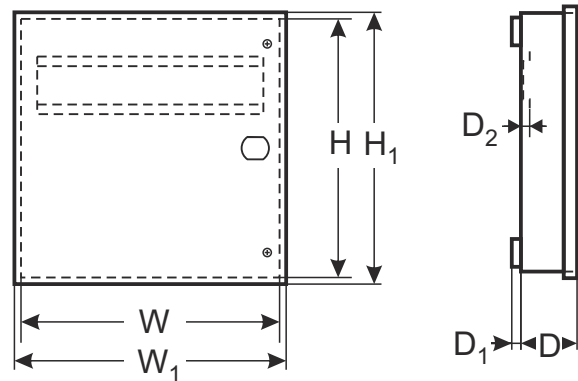
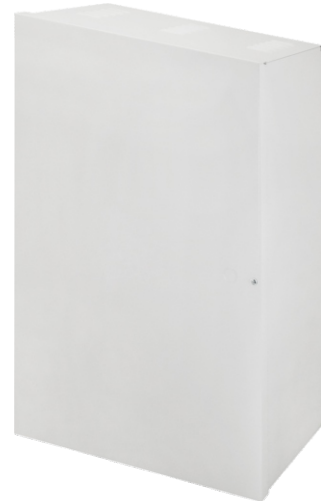


CODE: **AWO613** v.1.2/VI
 NAME: **Surface mounted DIN 3/155 enclosure**

EN



APPLICATION

Thanks to its design, **AWO613** enclosure can be used both as a stand-alone component used for mounting of all DIN rail mounted devices and an element integrating electrical installations, e.g. CCTV, Access Control Systems (ACS), Intrusion Detection Systems (IDS), etc. Enclosure is designed for mounting of (depending on configuration):

1. Electric fuses of „S” type
2. Transformers of following series: **TRP, TRZ**
3. Power supplies of following series:
 - **PS-...**
 - **PSDC-...**
 - **PSDCSEP-...**
4. Built-in buffer power supplies of following series:
 - **PSB-...**
 - **PSG2-...**
 - **PWB-...**
5. MEAN WELL power supplies for DIN rail of following series:
 - **MDR, DR, HDR, EDR, NDR, SDR**
 - **DRP, DRH, WDR, TDR, DRC**
 - **DR-UPS40 (buffer module)**
 - **DRDN20, DRDN40, DR-RDN20 (redundant modules)**
6. MEAN WELL built-in power supplies of following series:
 - **RS, LRS, RD, RSP, HRP, QP, AD, ADD, SCP**

PRODUCT DESCRIPTION

Enclosure on rear wall has holes for mounting 3 DIN rails, each 320mm long. Rails are mounted directly to enclosure or on plastic brackets that allow separate rail from wall by 20mm. Additionally, it has holes for mounting in rear wall TRP/TRZ series transformers and enclosed power supply units. Equipped with a tamper detecting opening enclosure. Enclosure is screwed from front, as standard option. Front of enclosure has an embossing for a lock, which allows to assembly a lock with same code MR027 or with a different code MR008. Plastic 14mm spacers are added to enclosure, which allow moved it from wall, which allows entry cables to devices mounted in enclosure.

TECHNICAL PARAMETERS

External dimensions of enclosure:	W=375, H =586, D+D _i =151+14 [-/+2mm]
External dimensions of front panel:	W _f =381, H _f =591 [+/- 2mm]
Distance of TH35 DIN rail from rear wall:	D _i =4 or 20 [+/- 2mm]
Number of DIN rails / length / number of „S” fields:	3 / 320mm / 18
Weight net/gross:	6,354 / 6,974 [kg]
Battery space:	2x17Ah/12V Sealed Lead Acid (SLA)
Operating environment:	Temperature: -10°C ÷ +40°C relative humidity 20%...90%, without condensation
Material description:	Sheet steel DC01, thickness: 1 mm, anticorrosion protection, color: RAL 7035
Destination:	Indoor, surface-mounted
Tamper protection:	1 x microswitch: enclosure opening 0,5 A; 50 V DC max. NC – normally closed contacts Optionally: 1 x microswitch: detachment form wall, 0,5A; 50 V DC (required PKAZ067)
Closing:	screwed: screw x 1, at front
Notes:	optional: lockable (MR008 or MR027), distance from wall (mounting surface) – 14mm
Warranty:	2 years from production date

Examples of configurations:



Mounting DIN rails on plastic brackets – 20mm (standard equipment)



Possibility to mount a tamper detachable from wall (additional accessory required - PKAZ067)



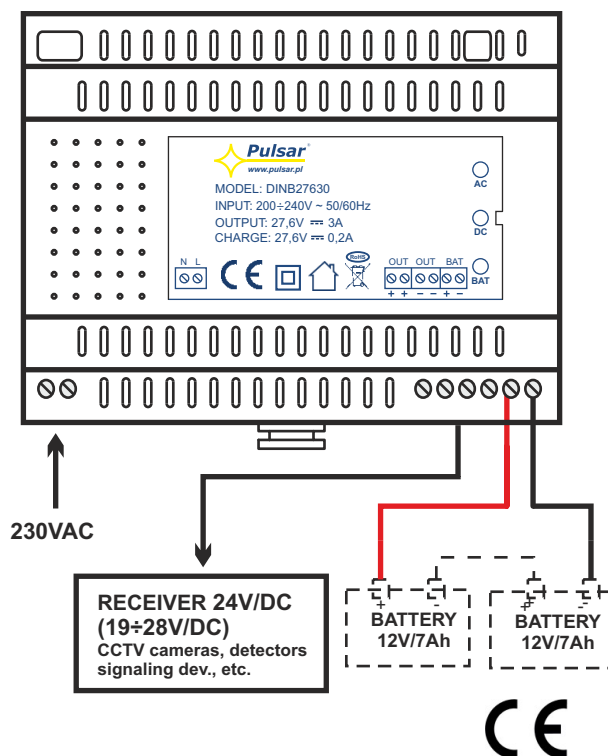
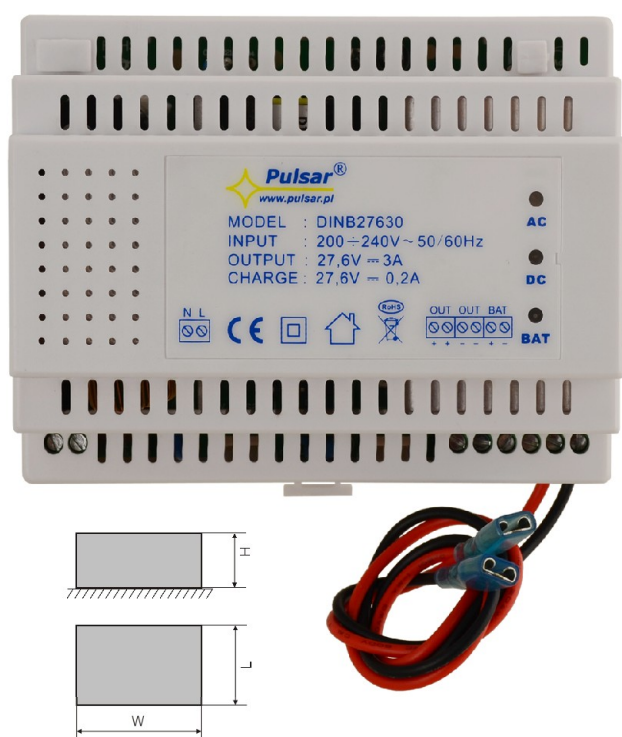
Power supply series DINB

Buffer power supply 27,6V DC, on a DIN rail



CODE: **DINB27630** v.1.0/II
TYPE: **DINB 27,6V/3A DIN rail buffer power supply.**

EN**



PSU features:

- DC 27,6V/3A* uninterrupted supply + 0,2A battery charging current
- universal supply voltage range AC 176÷264V
- high efficiency 88%
- battery charging and maintenance control
- deep discharge battery protection (UVP)
- battery output protection against short circuit and reverse polarity connection
- DIN rail mounting
- LED optical indication
- protection type:
 - short-circuit protection SCP
 - surge protection
 - overload protection OLP
- warranty – 2 years from the production date

GENERAL DESCRIPTION.

The buffer power supply is designed for uninterrupted supply of devices requiring stabilized voltage of **24V DC (+/-15%)**. The PSU supplies voltage of **27.6V DC** with current efficiency of **I = 3A + 0.2A battery charging***. In the case of mains power failure, the unit will instantly switch to battery power. The PSU is fitted with short circuit protection and overload protection. The power supply unit is in plastic enclosure designed for DIN TH35 rail mounting (35mm width).

During normal operation, the total current drawn by the device cannot exceed I=3A. The maximum battery charging current is 0.2A. The total current of the receivers + battery is max. 3.2A*.

* Refer to chart 1

SPECIFICATIONS:	
Supply voltage	176÷264V AC
Current consumption	0,9A@230VAC max.
PSU power	90W max.
Efficiency	88%
Output voltage	23V± 27,6V DC – buffer operation 19V± 27,6V DC – battery operation
Output current $t_{AMB}<30^{\circ}\text{C}$	3A + 0,2A battery charging
Output current $t_{AMB}=40^{\circ}\text{C}$	2,1A + 0,2A battery charging
Ripple voltage	100mV p-p max.
Battery charging current	0,2A max.
Short-circuit protection SCP	electronic, automatic return
Overload protection OLP	150-200% of PSU power supply, automatic recovery
Surge protection	varistors
Deep discharge battery protection UVP	$U<19\text{V} (+/- 0,5\text{V})$ – disconnection of the battery terminal
LED indication:	Yes - LEDs
Operating temperature	2nd environmental class, temperature: $-10^{\circ}\text{C} +40^{\circ}\text{C}$, relative humidity: 20%...90%, without condensation
Enclosure dimensions	122 x 93 x 60 (WxHxD) [mm] (+/- 2)
Mounting	TH35 DIN rail
Net/gross weight	0,41 kg/ 0,48 kg
Enclosure	ABS, RAL7035, light grey
Connectors	$\Phi 0,51-2,05$ (AWG 24-12)
Deklarations, warranty	CE, RoHS, 2 year from the production date

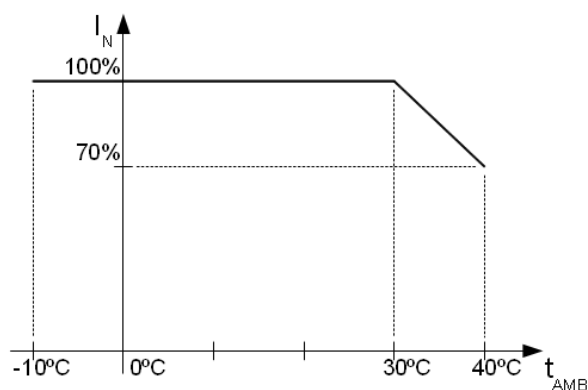


Chart 1. Acceptable output current from the PSU depending on ambient temperature.