

## MC 240-LSZH

## Magnetic Contact with Halogen-Free Cable, NC

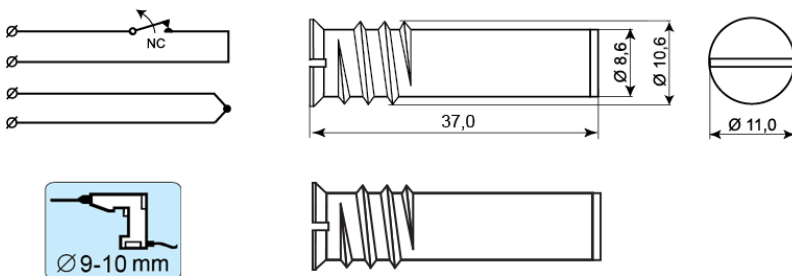


## Technical data

Installation method	Recessed mounting
Contact function	Normally Closed (NC)
Approvals	EN 50131-2-6 Grade 2, Class IIIA, VdS G 193513 Class B, INCERT B-582-0013, SBSC 9-196, Class 1/2, FG
Contact rating	48 VDC / 500 mA / 10 VA
Drill diameter mm	9-10
Magnet type	Alnico 5
Mounting on steel	Only with accessories
Make distance (wood) mm	27
Make distance (steel) mm	X
Tamper protection	Yes
Connection	Halogen-free cable
Housing material	Al-alloy
Operating temperature range	-40°C - +70°C
Housing protection class	IP 67
Contact dimensions (L x Ø) mm	37 x 11
Magnet dimensions (L x Ø) mm	37 x 11




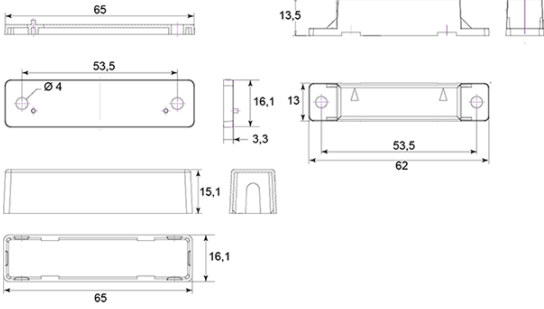

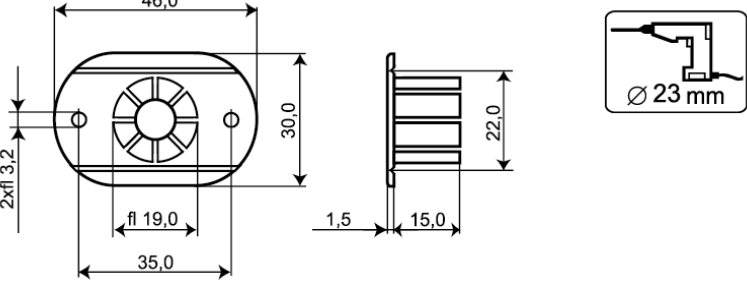

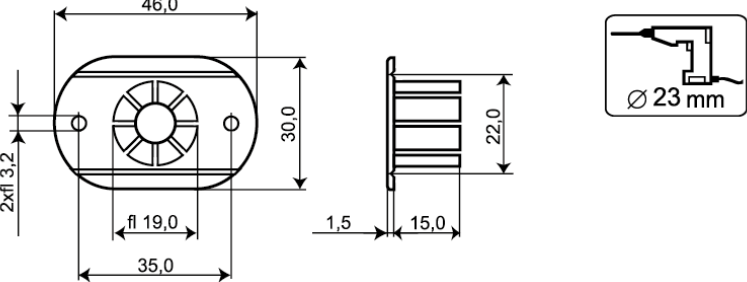

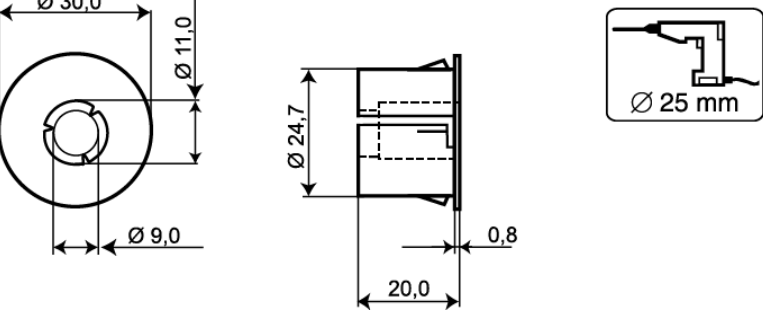

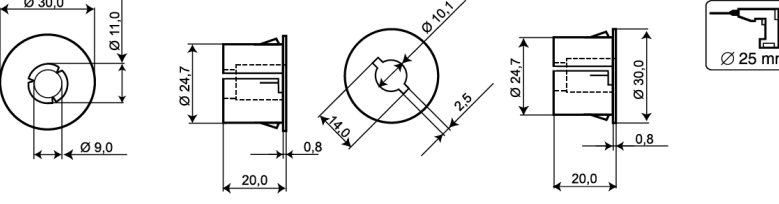
MC 240 is a universal magnetic contact with NC function that can be used in both alarm and access control systems for monitoring e.g. doors and windows against unauthorized opening. Both the contact and the magnet part are made of Al-alloy and formed in the shape of a threaded screw, which enables easy installation into wood or plastic. With our extensive range of installation accessories it is easy to install the contact either recessed or as a surface mount on metal and other materials. With appropriate accessories, the contact can even be installed in steel doors, safety valves, garage doors, etc. The contact part is sealed with special epoxy, making it water resistant.




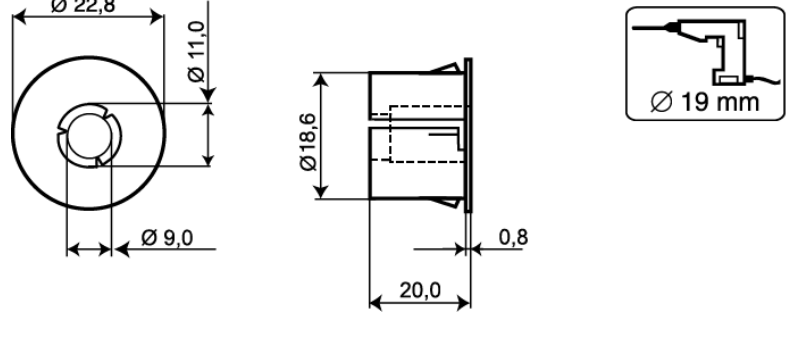

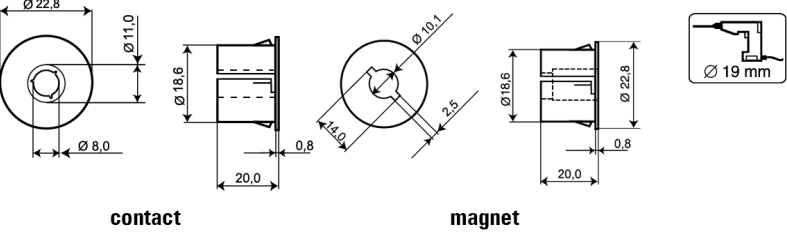

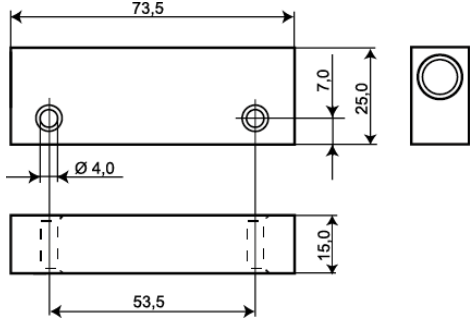

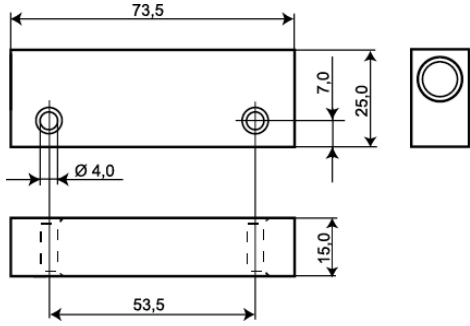
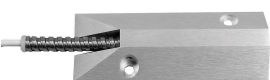
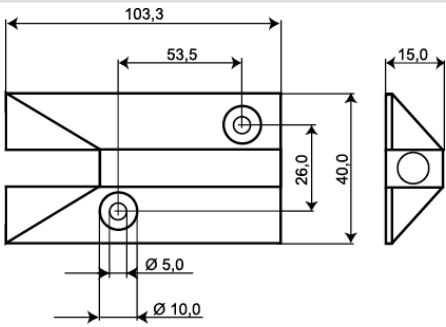
## ORDERING INFORMATION

Model	Description
MC 240-6-LSZH	Recessed magnetic contact, NC, 6 m, Halogen-free cable
MC 240-10-LSZH	Recessed magnetic contact, NC, 10 m, Halogen-free cable


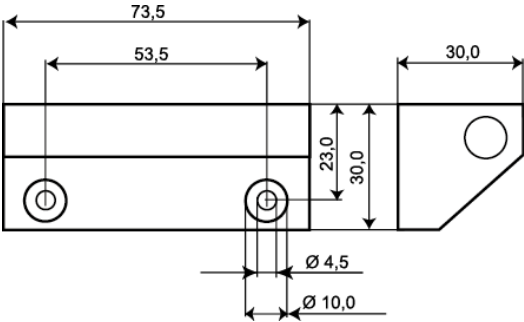
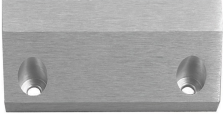
Related products and accessories

	<p><b>MC 200-S3</b></p> <p>Plastic Housing for MC 240, 246 and 247</p>	
	<p><b>MC 200-S11</b></p> <p>Plastic Flange for MC 240, 246, 247, 250, 255, 270, 272, 275</p>	
	<p><b>MC 200-S12</b></p> <p>Plastic Flange with Strong Magnet for MC 240, 246, and 247</p>	
	<p><b>MC 200-S21</b></p> <p>Plastic Snap-in Flange for MC 240, 246, 247, 250, 255, 270, 272, 275</p>	
	<p><b>MC 200-S22</b></p> <p>Snap-in Flange with Strong Magnet for MC 240, 246 and 247</p>	 <p style="text-align: center;"><b>contact</b> <span style="margin-left: 200px;"><b>magnet</b></span></p>

Related products and accessories

	<p><b>MC 200-S31</b></p> <p>Plastic Snap-in Flange for MC 240, 246, 247, 250, 255, 270, 272, 275</p>	
	<p><b>MC 200-S32</b></p> <p>Snap-in Flange with Strong Magnet for MC 240, 246, 247</p>	
	<p><b>MC 200-4</b></p> <p>Aluminium Housing for MC 240, 246 and 247</p>	
	<p><b>MC 200-5</b></p> <p>Aluminium Part with Extra Strong Magnet for MC 240, 246 and 247</p>	
	<p><b>MC 200-6</b></p> <p>Aluminium Housing for Floor Installation for MC 240, 246 and 247</p>	

## Related products and accessories

	<p><b>MC 200-7</b></p> <p>Aluminium Housing for MC 240, 246 and 247</p>	
	<p><b>MC 200-8</b></p> <p>Aluminium Part with Extra Strong Magnet for MC 240, 246 and 247</p>	